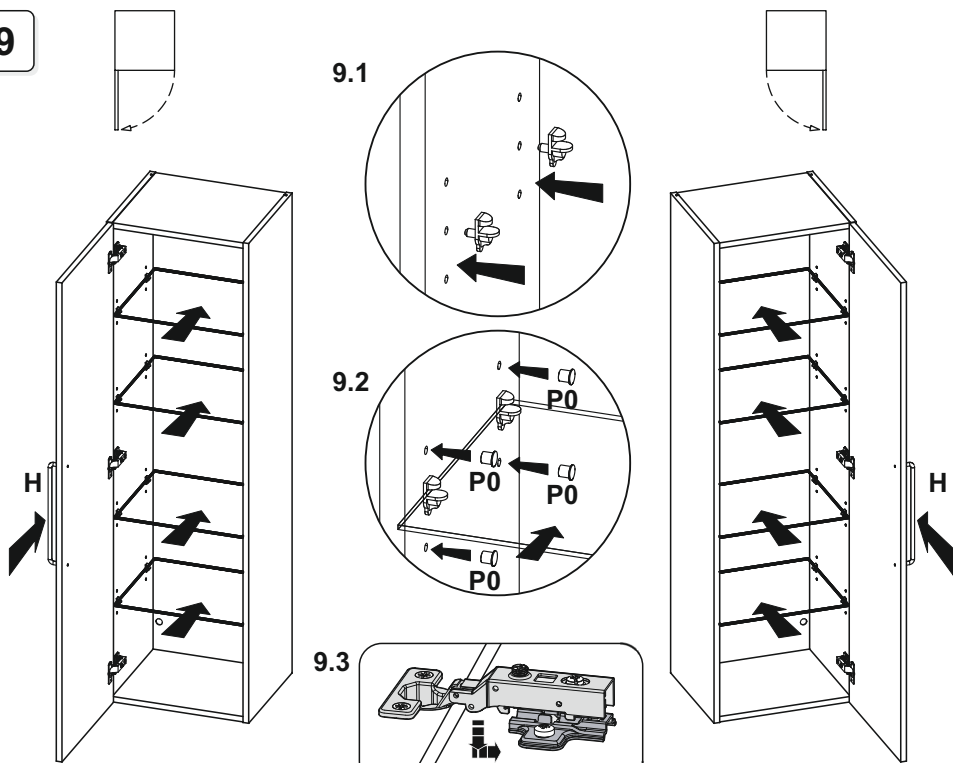


9

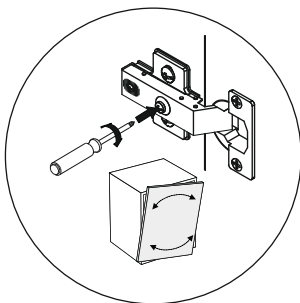
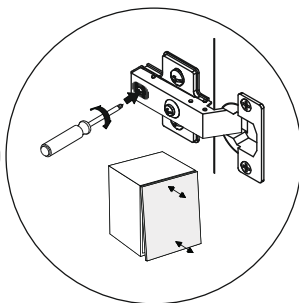
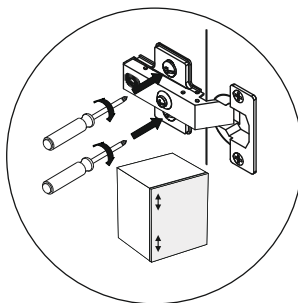
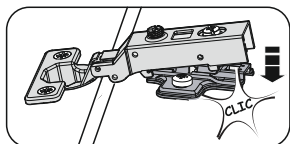
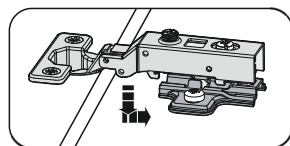
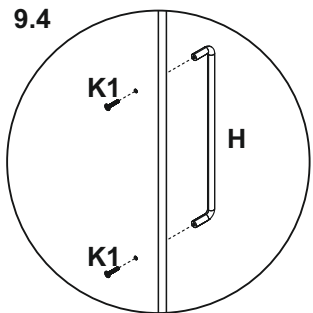


9.1

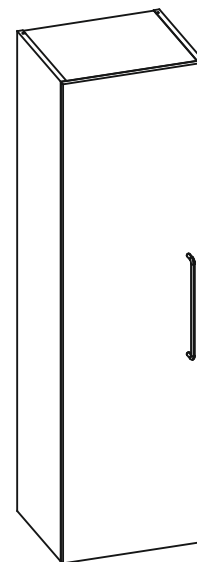
9.2








9.3

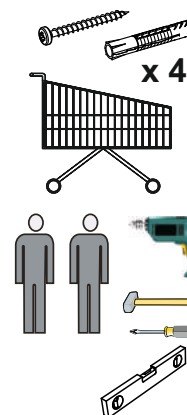
9.4



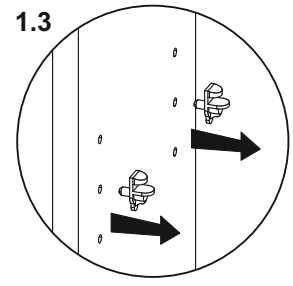
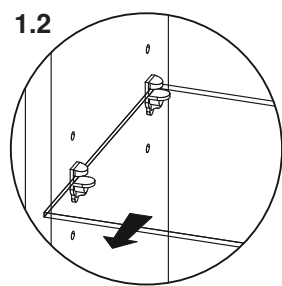
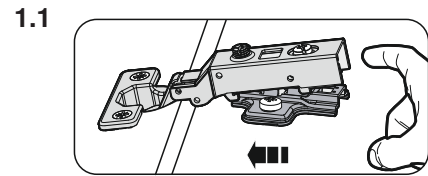
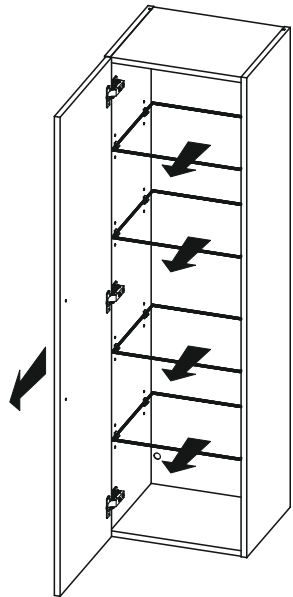
40 1D



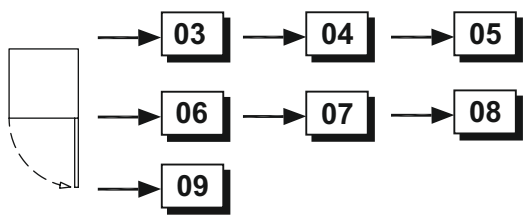
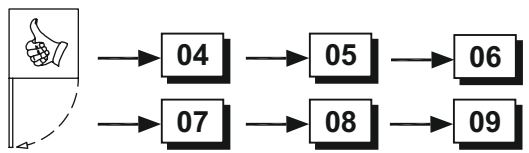
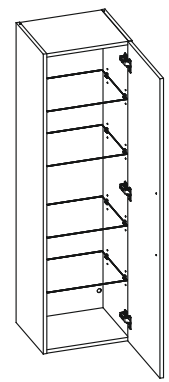
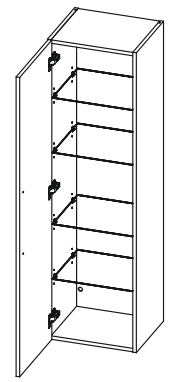
<b>G71</b>  x 1	<b>G72</b>  x 1	
<b>P0</b>  x 38	<b>P2</b>  x 4	<b>P11</b>  x 2
<b>H-288</b>  L=288mm x 1		<b>K1</b>  M4x22 x 2



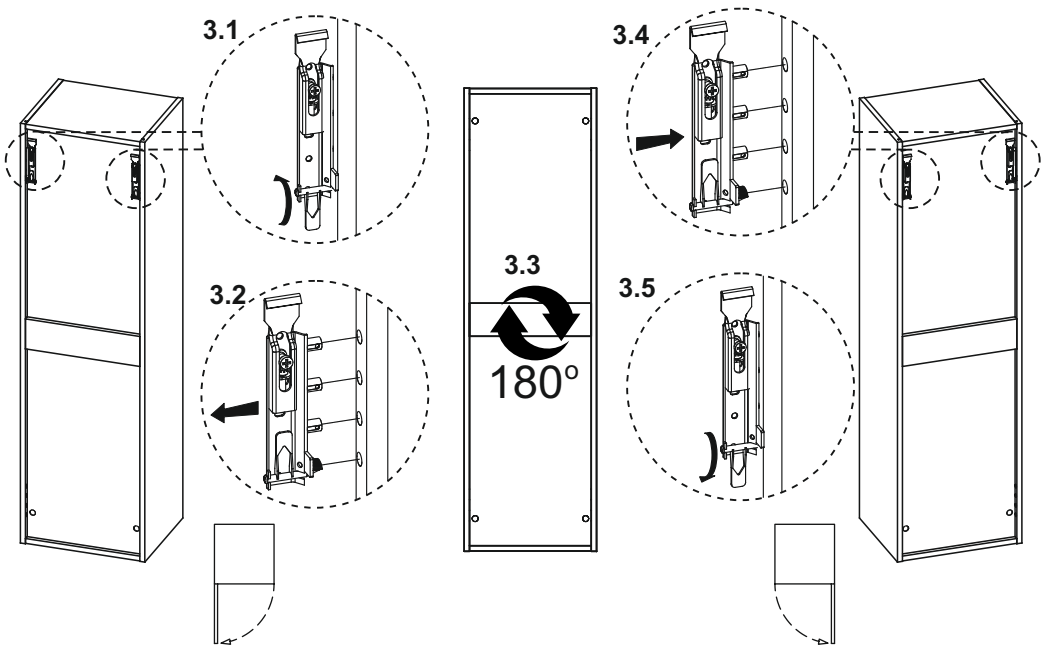
1



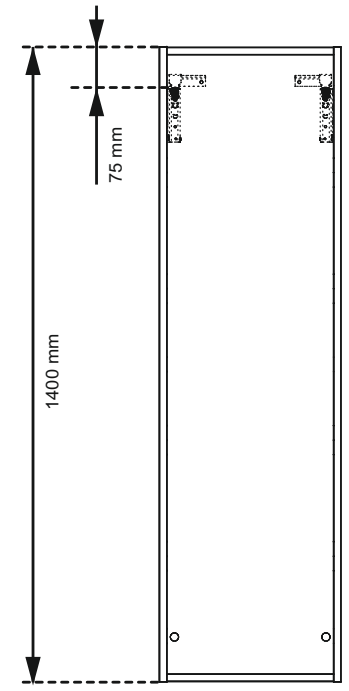
2



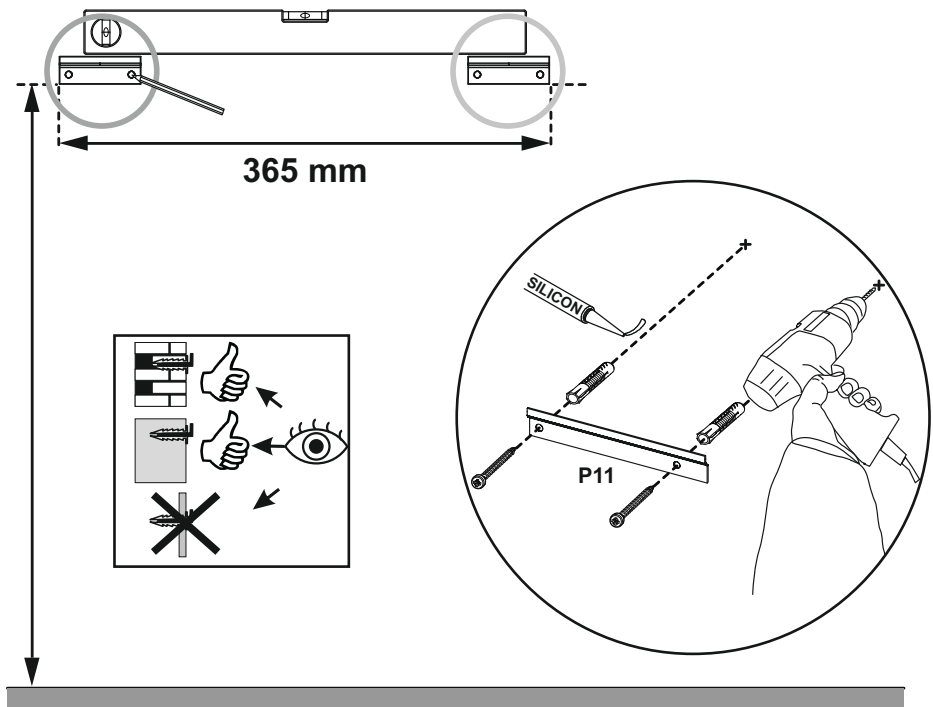
3



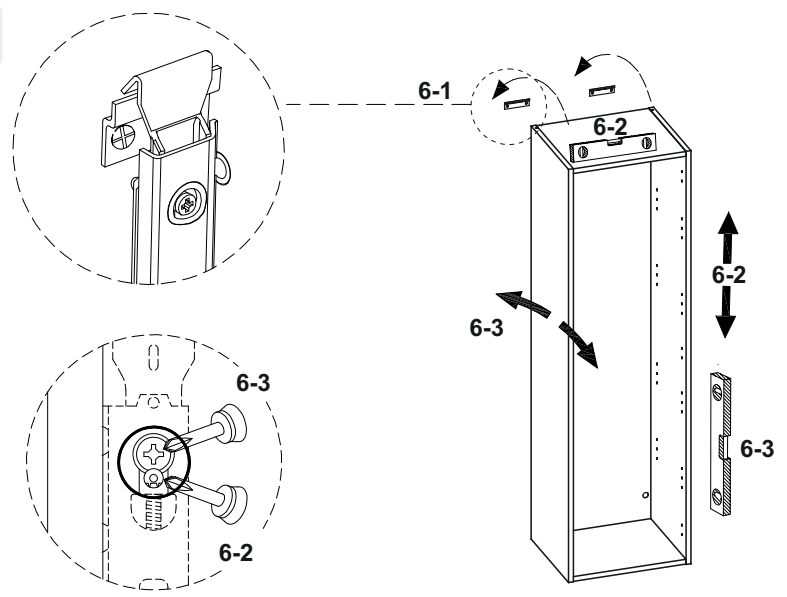
4



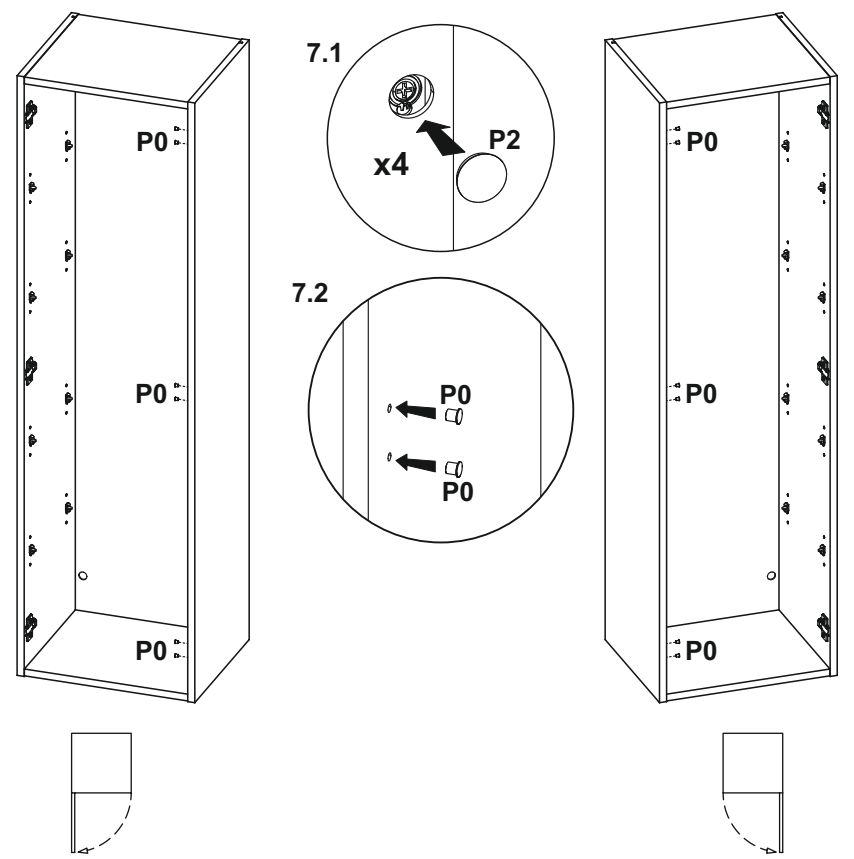
5



6



7



8

